

1. Mark the hole centre on the cabinet that the handle will be attached to.

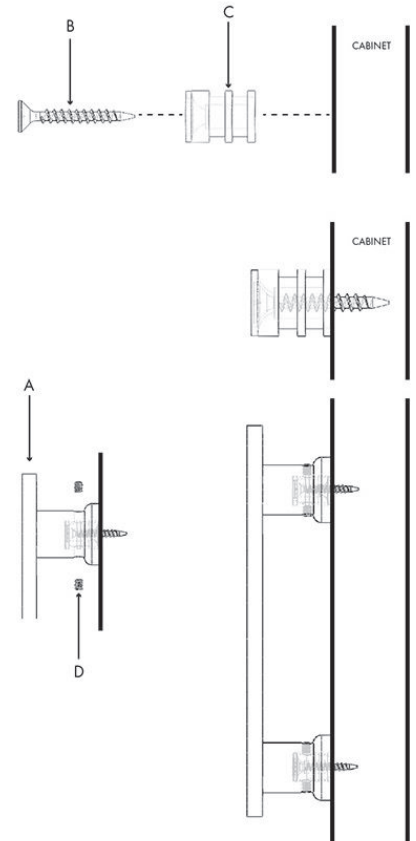
Once marked pre drill the holes.

Line up part C with the hole and insert part B into the Chamfered side of part C.

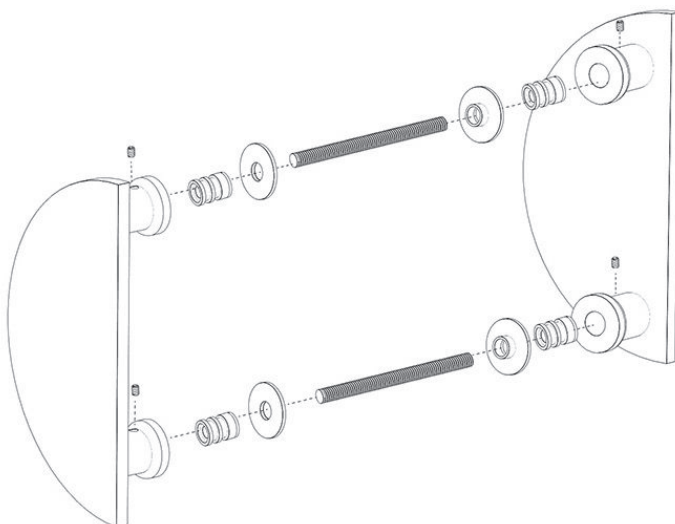
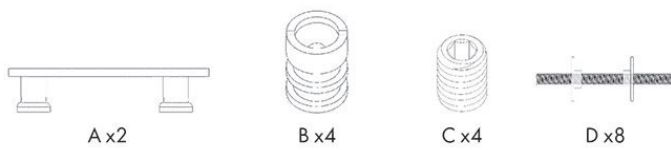
2. Do this process for all four legs to resemble the picture on the right.

3. Insert part A into the sleeve screws (part C).

Tighten the grub screws (part D) on the legs of part C with the allen key provided.



## HANDLE BACK TO BACK ON DOOR



1. Mark the hole centre on the cabinet that the handle will be attached to.

Once marked pre drill the holes to fit part D in.

Insert part D through the hole and attach rubber ends on each side.

2. Screw in Part B into part D using the threaded side, on both ends.

3. Fit Part A into the sleeve screws (part B) and tighten the grub screws (part C) with the allen key to lock the handle in place.

Repeat this for both legs on both sides.

