

6

5

4

3

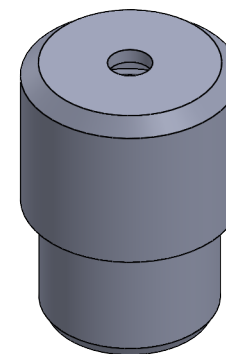
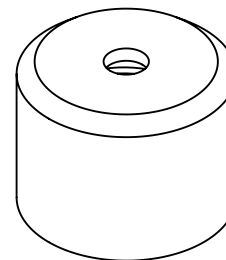
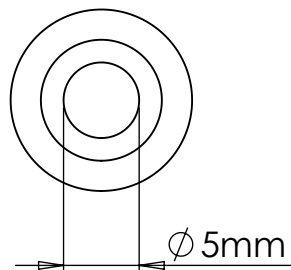
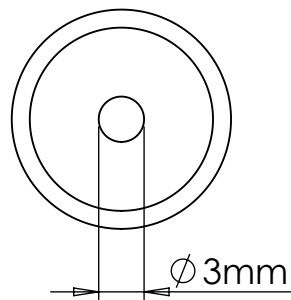
2

1

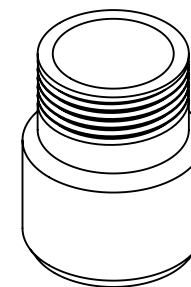
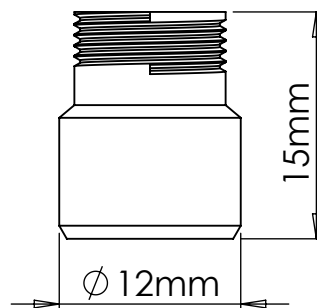
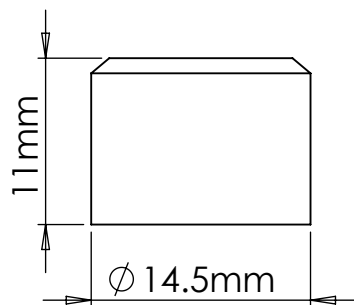
TOP PART

BOTTOM PART

Top View



Side View



D

D

C

C

B

B

A

A

NOTE: ALL dimensions are in MM
 Protective lacquer to prevent oxidasation and corrosion
 Suitable for all appliance doors

CLEANING AND MAINTENANCE: Wipe clean with warm water and soft cloth.
 Avoid abrasive towels, sponges, cleaning sprays,
 bleach and hand sanitizer

Weight: 50g

MATERIAL: Brass

SKU: LPC01 / LPC02 / LPC03

Finish: BRUSHED

PUSHKA HOME

TITLE:

Light Pull

SCALE: 2:1

DATE: 2025

SHEET 1 of 1

6

5

4

3

2

1