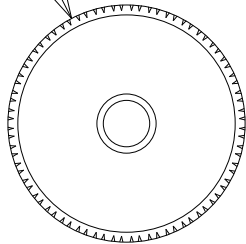
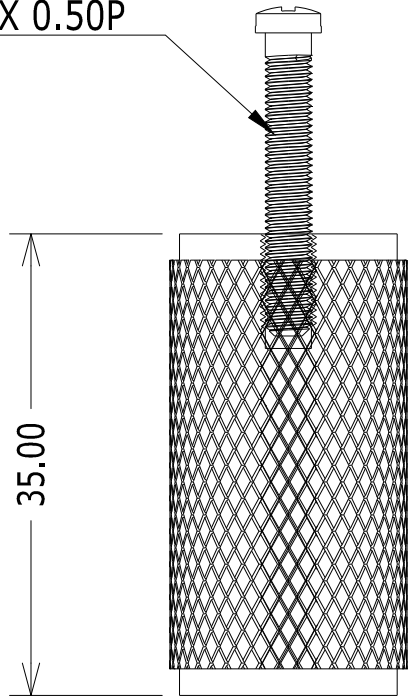


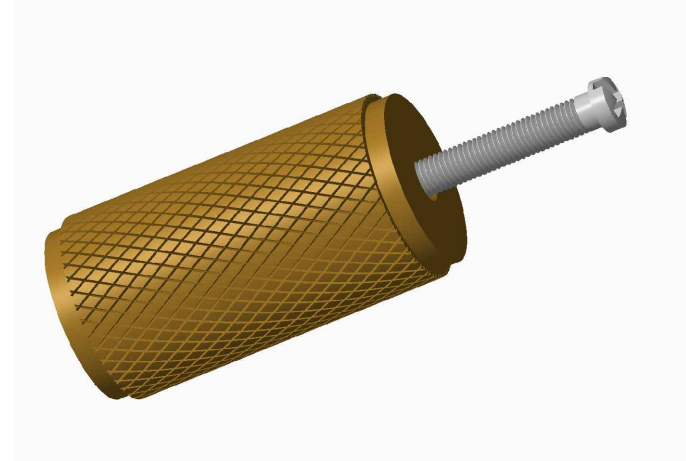
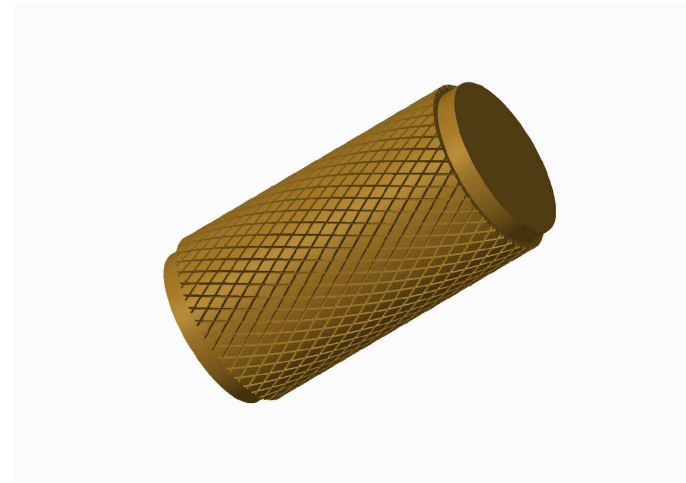
Ø18.00



M4 X 0.50P



35.00



NOTE : All diensions are in MM  
Protective lacquer to prevent oxidisation and corrosion.  
Suitable for all appliance doors.

Cleaning & Maintenance : Wipe clean with warm water and a soft cloth.  
Avoid abrasive towels, sponges, cleaning, sprays  
bleach and hand sanitizers.

WEIGHT : 068 g.

MATERIAL : Brass

SKU : P183,P184,P185

FINISH : Brushed



TITLE : Brass Knurled Knobs

DATE :