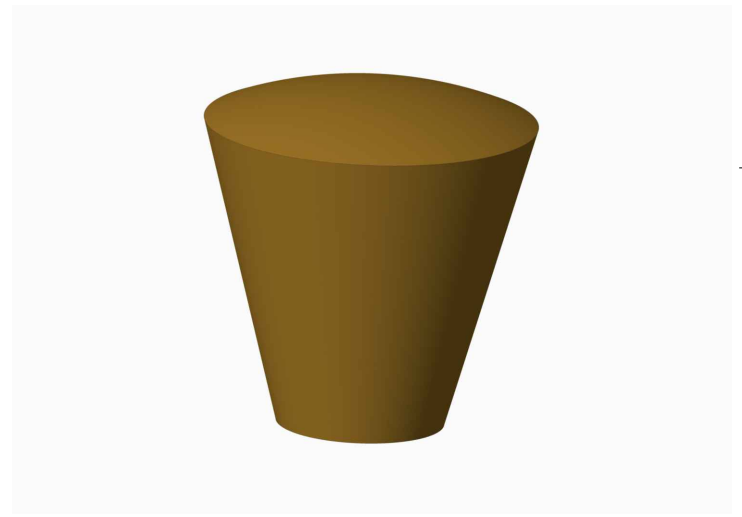
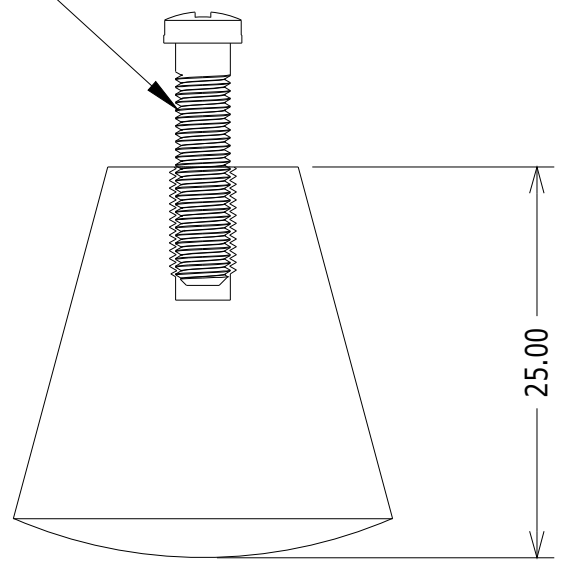


M4 X 0.50P



NOTE : All diensions are in MM Protective lacquer to prevent oxidisation and corrosion. Suitable for all appliance doors.		Cleaning & Maintenance : Wipe clean with warm water and a soft cloth. Avoid abrasive towels, sponges, cleaning,sprays bleach and hand sanitizers.	
WEIGHT : 0.026 kgs.	MATERIAL : Brass	SKU :P209,210,211	FINISH : Brushed
PUSHKA HOME		TITLE : Brass Door Knob	
		DATE :	